

Operating Instructions

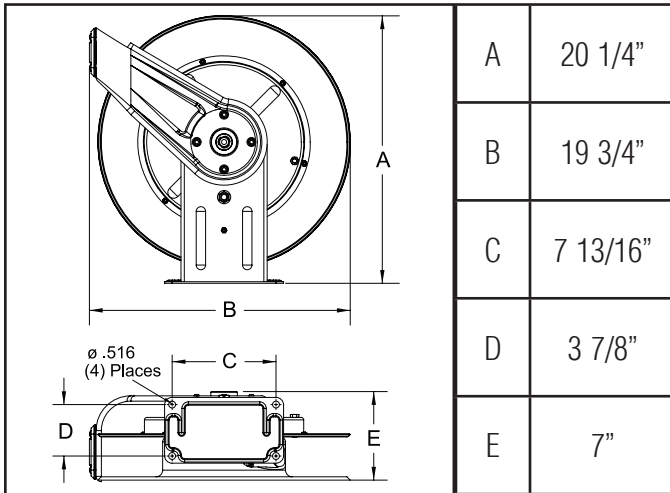
Series 7000 Spring Driven Hose Reels

Low Pressure Model Numbers:

GC7535 OLP



Dimensions



SAFETY

1. Do not use reel at higher pressures or temperatures than listed on the back of this bulletin.
2. Remove all spring tension before beginning disassembly process.

INSTALLATION:

A flexible hose connection must be used between the hose reel inlet and the source of supply to prevent possible misalignment and binding.

MOUNTING:

The hose reel is equipped with a universal mounting bracket so that it can be mounted on the floor, wall or ceiling; whichever place is convenient. The hose guide arm can be moved to the position desired by removing the screws fastening the guide bracket to the reel base. Shift the guide arm bracket so the hose comes off the reel at the desired position and replace the screws.

LUBRICATION:

Hose reel spring and bearings are factory lubricated and require no further lubrication.

REPLACING HOSE:

1. Wind spool flange clockwise-facing swivel-until spring is tight.
2. Back off three turns and latch.
3. Insert hose through roller guide.
4. Connect hose fitting to swivel joint and secure hose with clamps.

ADJUSTMENTS:

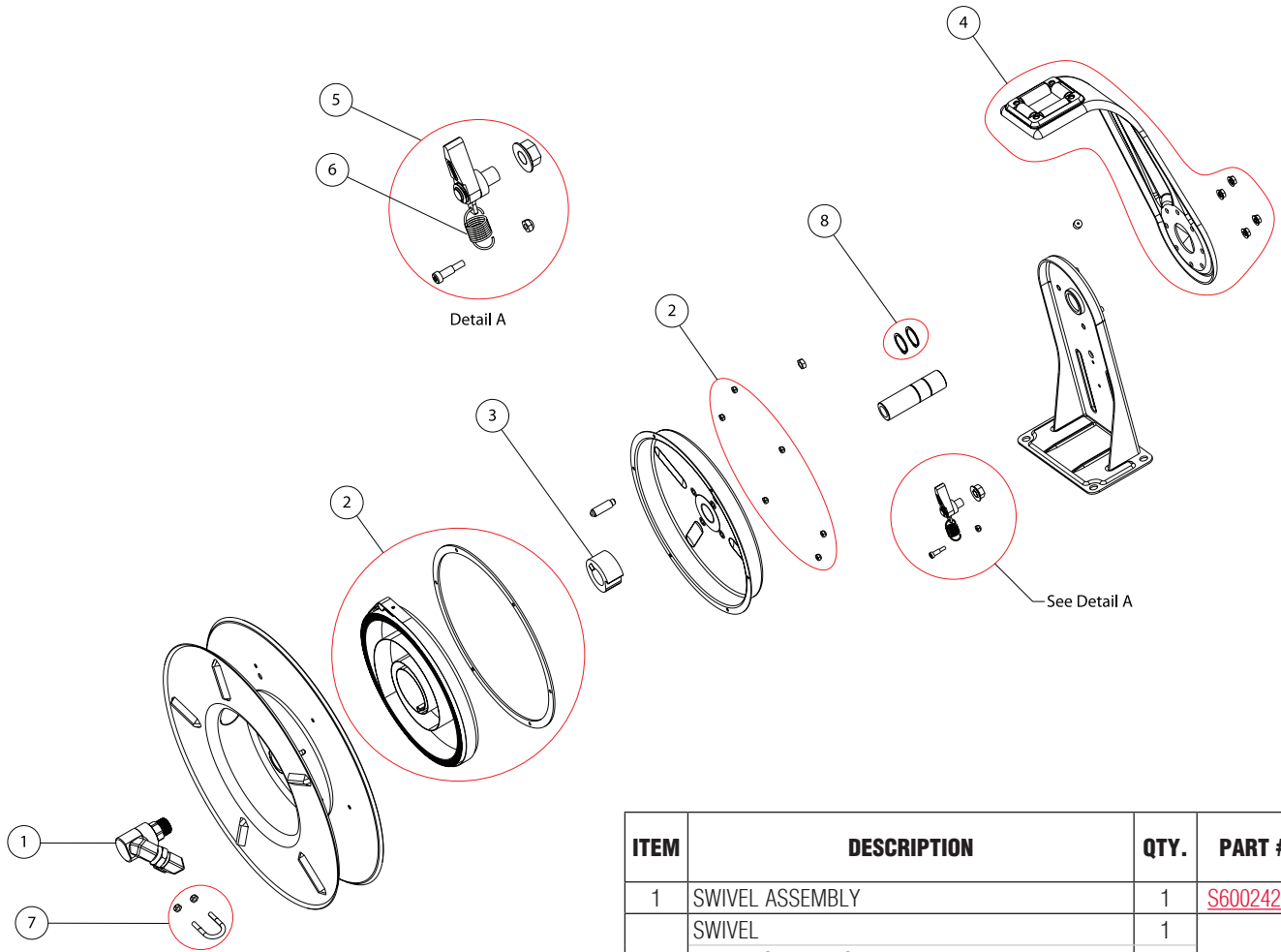
To adjust spring tension, add or remove wraps of hose from the spool, one wrap at a time until desired tension is obtained.

REPAIRS:

Extensive repairs should be performed only by an authorized serviceman or factory to avoid damage which may void your warranty. Remove all spring tension before beginning disassembly process.

Form# 1137-203 Rev: 3/2026

Series 7000 Spring Driven Hose Reels



ITEM	DESCRIPTION	QTY.	PART #
1	SWIVEL ASSEMBLY	1	S600242-1
	SWIVEL	1	
	90° ELBOW / UNION	2	
2	DRIVE SPRING KIT	1	S260037
	DRIVE SPRING ASSEMBLY	1	
	SPRING CASE GASKET	1	
	10-32 NYLOC NUT	6	
3	SPRING ARBOR ASSEMBLY	1	S600621
4	GUIDE ARM KIT	1	S600017
	GUIDE ARM ASSEMBLY	1	
	LOCK NUT (WHIZ 5/16-18 ZINC)	4	
5	LATCH PAWL KIT	1	S602299
	LATCH PAWL ASSEMBLY	1	
	NYLOC NUT (10-32)	1	
	HEX FLANGE NUT (1/2-20 NON LOCK)	1	
	LATCH SPRING (STAINLESS)	1	
	SHOULDER SCREW 10-32 2A THREAD	1	
6	LATCH SPRING (STAINLESS)	1	S260067-1
7	U-BOLT KIT	1	S5-117440
	U-BOLT	1	
	LOCK NUT 1/4-20 HEX FLANGE W/NYLON INSERT	2	
8	SNAP RING KIT	1	S603009
	RETAINING RING (1-1/4" OD SHAFT x .05" THICK)	2	
---	HOSE ASSEMBLY	1	S601046-35
---	BUMPER STOP ASSEMBLY	1	S600838
---	GARDEN HOSE VALVE	1	S261447
---	INLET HOSE		S600830-10